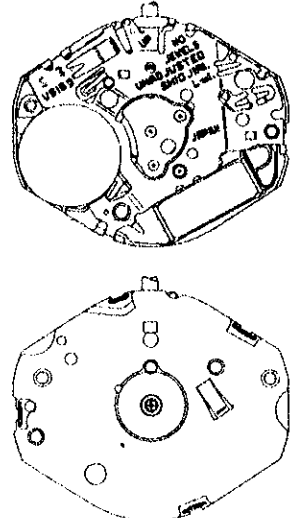
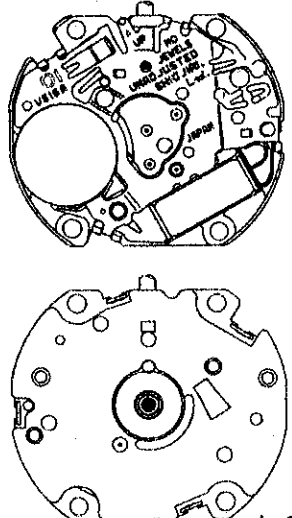


# SERVICE GUIDE CAL. V515B

## 1. POINTS OF DIFFERENCE BETWEEN CAL. 515A AND V515B

Item		Cal. No.	V515B	V515A
Movement			 (x 2.0)	 (x 2.0)
Movement size	Outside diameter		15.3mm between 3 o'clock and 9 o'clock sides	φ18.5mm 15.3mm between 3 o'clock and 9 o'clock sides
			18.2mm between 6 o'clock and 12 o'clock sides	18.2mm between 6 o'clock and 12 o'clock sides
	Casing diameter		15.3mm between 3 o'clock and 9 o'clock sides 17.8mm between 6 o'clock and 12 o'clock sides	φ18.1mm 15.3mm between 3 o'clock and 9 o'clock sides 17.8mm between 6 o'clock and 12 o'clock sides
	Height		2.99mm	3.09mm
Movement type			SHORT	STANDARD
Movement Ref.			AMF910P	AMF920P

For other specifications, please refer to the "SERVICE GUIDE CAL. V51 SERIES".

## 2. REMARKS ON REPLACING THE MOVEMENT

Since Cal. V515A and V515B movements are different in outside diameter and height, they cannot be used interchangeably.

When replacing the movement, therefore, check the calibre No. inscribed on the battery connection (+) to choose a proper movement. In addition, the Casing Parts Catalogue for a model contains the movement reference No. Therefore, you can also choose a proper movement for a model by referring to the Casing Parts Catalogue.

For further information on replacing the movement, refer to the "SERVICE GUIDE CAL. V51 SERIES".

## 3. VALUE CHECKING

### • Current consumption

Use the SEIKO Digital Multi-Tester S-840A (with Multi Adaptor MA-40A).

Range to be used: $\mu$ A	Result:
Red probe : Battery connection (+)	Less than 1.6 $\mu$ A: Normal
Black probe : Battery connection (-)	More than 1.6 $\mu$ A: Defective