

**SEIKO**

**QUARTZ**

**Cal. 2625A**

**PARTS LIST**

# Cal. 2625A



131 269	231 260	☆241 260	261 260	☆270 260	☆271 267	281 260
282 261	☆354 260	☆354 262	372 260	373 250	☆383 260	☆383 265
384 260	389 260	391 260	436 260	491 260	495 260	556 261
560 260	701 260	706 260	☆801 261	802 260	808 261	810 261
817 260	☆884 261	4001 270	☆4002 261	4146 260	4216 260	4219 262
4239 260	4242 260	4270 260	4455 260	011 409	☆SEIKO SB-DL	

012 151	012 159	012 459	012 768	012 781	017 125	017 126
017 127	017 128	017 129	017 130	017 131	017 936	

3/1

# Cal. 2625A

## Characteristics :

Casing diameter:  $\phi$  17.6 mm  
 Maximum height: 3.2 mm without battery  
 Jewels: 2 j  
 Frequency of quartz crystal oscillator: 32,768 Hz (Hz=Hertz. . . . cycles per second)  
 Driving system: Step motor system (2 poles)  
 Regulation system: Trimmer condenser  
 Second setting device  
 Calendar (Date)  
 Instant setting device for date calendar  
 Battery life indicator: Second hand moves in two-second interval.

PART NO.	PART NAME	PART NO.	PART NAME
<b>131 269</b>	Third wheel bridge	<b>4219 262</b>	Insulator for battery connection
<b>231 260</b>	Third wheel & pinion	<b>4239 260</b>	Rotor stator
☆ <b>241 260</b>	Fourth wheel & pinion (4.54 mm)	<b>4242 260</b>	Plus terminal of battery connection
☆ <b>241 261</b>	Fourth wheel & pinion (4.22 mm)	<b>4270 260</b>	Battery connection
☆ <b>241 264</b>	Fourth wheel & pinion (4.81 mm)	<b>4455 260</b>	Reset lever
<b>261 260</b>	Minute wheel	<b>011 409</b>	Upper hole jewel for step rotor
☆ <b>270 260</b>	Center minute wheel with cannon pinion (2.58 mm)	<b>011 409</b>	Lower hole jewel for step rotor
☆ <b>270 261</b>	Center minute wheel with cannon pinion (2.26 mm)	<b>012 151</b>	Third wheel bridge screw
☆ <b>270 269</b>	Center minute wheel with cannon pinion (2.85 mm)	<b>012 151</b>	Circuit block screw A
☆ <b>271 267</b>	Hour wheel (1.37 mm)	<b>012 151</b>	Coil block screw (Screw for plus terminal of battery connection)
☆ <b>271 271</b>	Hour wheel (1.61 mm)	<b>012 159</b>	Circuit block screw B
<b>281 260</b>	Setting wheel	<b>012 459</b>	Case screw
<b>282 261</b>	Clutch wheel	<b>012 768</b>	Setting lever axle spring screw
☆ <b>354 260</b>	Winding stem (13.85 mm)	<b>012 781</b>	Date dial guard screw
☆ <b>354 262</b>	Winding stem (19.55 mm)	<b>017 125</b>	Tube for circuit block A
<b>372 260</b>	Joint stem (movement portion)	<b>017 126</b>	Tube for circuit block B
<b>373 250</b>	Joint stem (case portion)	<b>017 127</b>	Tube for circuit block C
☆ <b>383 260</b>	Setting lever	<b>017 128</b>	Second setting lever pin
☆ <b>383 265</b>	Setting lever	<b>017 129</b>	Tube for third wheel bridge screw A
<b>384 260</b>	Yoke (Clutch lever)	<b>017 130</b>	Tube for third wheel bridge screw B
<b>389 260</b>	Setting lever axle spring	<b>017 131</b>	Tube for coil block screw
<b>391 260</b>	Second setting lever	<b>017 936</b>	Eccentric dial pin
<b>436 260</b>	Lower end-piece for third wheel	☆SEIKO SB-DL } ☆SEIKO TR726SW }	Silver peroxide battery
<b>491 260</b>	Dial washer		
<b>495 260</b>	Spacer for third wheel bridge		
<b>556 261</b>	Date finger		
<b>560 260</b>	Friction spring for fourth wheel & pinion		
<b>701 260</b>	Fifth wheel & pinion		
<b>706 260</b>	Sixth wheel & pinion		
☆ <b>801 261</b>	Date dial		
☆ <b>801 265</b>	Date dial		
<b>802 260</b>	Date driving wheel		
<b>808 261</b>	Date dial guard		
<b>810 261</b>	Date jumper		
<b>817 260</b>	Intermediate date wheel		
☆ <b>884 261</b>	Holding ring for dial		
<b>4001 270</b>	Circuit block		
☆ <b>4002 261</b>	Coil block		
<b>4146 260</b>	Step rotor		
<b>4216 260</b>	Insulator for battery		

☆⇒Please see remarks on the reverse page.

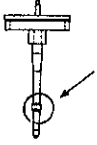
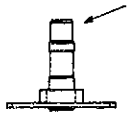

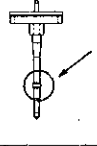
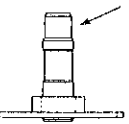

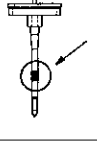
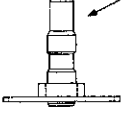

Part numbers in light letters are not shown in photos.

# Cal. 2625A

## Remarks :

Fourth wheel & pinion, Center minute wheel with cannon pinion, Hour wheel.  
There are three different types as specified below.

Combination :

Type	Fourth wheel & pinion	Center minute wheel with cannon pinion	Hour wheel
a			 Silver
	☆241 261	☆270 261	☆271 267
b			 Gold
	☆241 260	☆270 260	☆271 271
c			 Gold
	☆241 264	☆270 269	☆271 271

Winding stem.....Refer to the photograph on the front page.

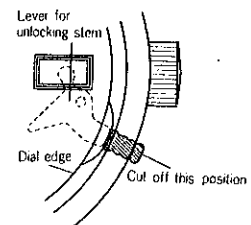
☆354 260.....Short winding stem (Thread is provided completely on the crown portion.)

☆354 262.....Long winding stem (Thread is provided only on the end of the crown portion.)

If the combination of the winding stem and case is unknown, check the case number and refer to "SEIKO Quartz Casing Parts List" to choose a corresponding winding stem.

### Setting lever

☆383 260 } ..... There are two types of setting lever. 383 260 can be used as it is. 383 265 can be used by cutting its tail. The size of a setting lever is determined based on the design of cases. When adjusting the length of the setting lever by cutting its tail, be sure that the tail partly comes out of the dial as shown in the illustration. If the tail is hidden from view by the dial, it will be difficult to disassemble the winding stem.



If the combination of the setting lever and case is unknown, check the case number and refer to "SEIKO Quartz Casing Parts List" to choose an appropriate setting lever.

### Date dial

☆801 261 (Black figures on white background)..... Used when both the crown and the calendar frame are located at 3 o'clock position.

☆801 265 (Black figures on white background)..... Used when the crown are located at 3 o'clock position, and the calendar frame at 6 o'clock position.

If any other type of date dial is required, specify ① Cal. No. ② Jewels ③ The crown position ④ The calendar frame position and ⑤ Dial No.

### Holding ring for dial

☆884 261 ..... The type of a holding ring for dial is determined based on the design of cases and dials. If the shape of holding ring for dial is different from the photograph, check the case number and refer to "SEIKO Quartz Casing Parts List" to choose a corresponding holding ring for dial.

### Coil block

☆4002 261 ..... The parts that have the same parts No. as 4002 261 are interchangeable, even if the color of that parts is different.

### Battery

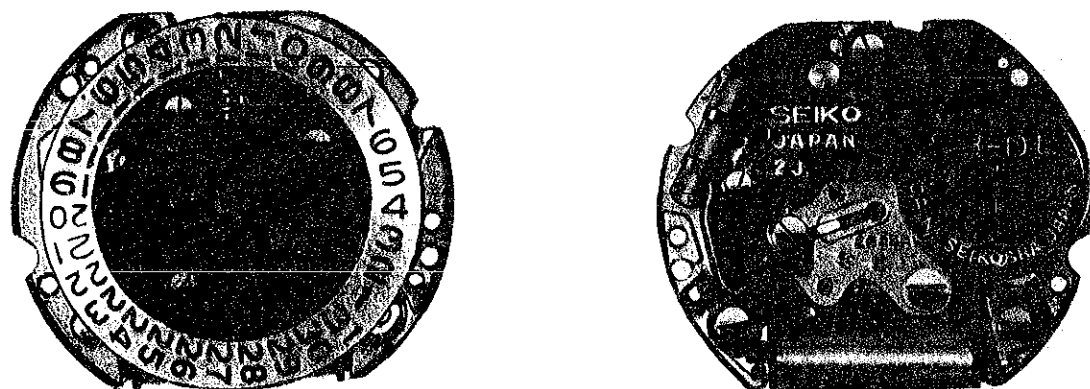
☆SEIKO SB-DL } ..... The applied battery for this calibre might be added the substitutive in the future. In that case, please refer to separate "BATTERIES FOR SEIKO QUARTZ WATCHES"

# TECHNICAL GUIDE

## SEIKO

QUARTZ

CAL. 2625A  
(DIVER'S 150m)



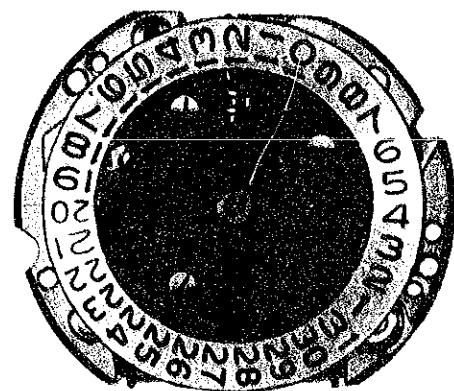
## CONTENTS

I. SPECIFICATIONS .....	1
II. BATTERY CHANGE AND PERIODIC CHECK SYSTEM .....	2
III. DISASSEMBLING, REASSEMBLING AND LUBRICATING OF THE CASE .....	2
IV. PERIODIC CHECK PROCEDURES .....	6

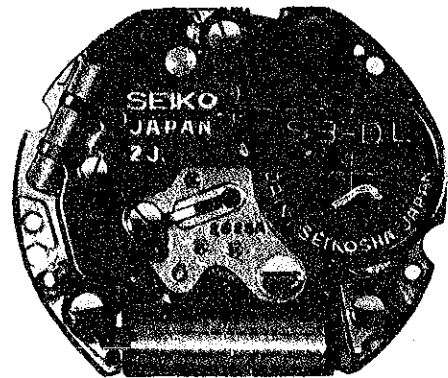
## I. Specifications

Item	Calibre No.	2625A
	Water resistance	150m
Time indication	3-hand time indication (hour, minute & second)	
Additional mechanism	Calendar display (date) Instant day & date setting device Electronic circuit reset switch Second setting device (Stops at every second) Battery life indicator	
Crystal oscillator	32,768Hz (Hz = Hertz . . . . Cycles per second)	
Loss/gain	Loss/gain at normal temperature: Monthly rate : less than 15 seconds (Annual rate : less than 3 minutes)	
Casing diameter	φ17.6mm	
Height	3.2mm without battery	
Operational temperature range	-10°C ~ +60°C (14°F ~ 140°F)	
Driving system	Step motor system (2 poles)	
Regulation system	Trimmer condenser	
Battery power	Silver oxide battery (SEIKO TR726SW or SB-DL) Battery life is approximately 2 years. Voltage: 1.55V	
Jewels	2 Jewels	

Movement



Date dial side



Circuit side

## II. Battery change and periodic check system

Trouble with a diver's watch may endanger the life of the diver. Therefore, to show when the battery must be replaced, Cal.26 diver's watches are inscribed on the case back as shown in the right illustration with the expected time (month and year) for the first battery replacement and in addition the time when the periodic check (refer to page 6) is necessary for safety assurance. Replace the battery of the diver's watch, which is received within the period marked with "●" on the case back showing the expected time for battery replacement, with a new one and further have it subjected to the periodic check.

Punch a new mark or make some noticeable inscription at the position which corresponds to two years after the battery change and the periodic check are completed.

### [Example]

When the battery change and the periodic check are performed during April to June, 1982 as shown in the right illustration, inscribe "●" mark on the position corresponding to April to June, 1984 to return the watch to the user.

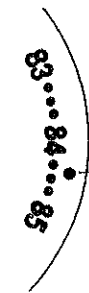
For details refer to page 6.

Year (1984)



Each mark of the scale represents three months.

"●" mark showing the expected time for battery replacement (A place inscribed differs according to individual watches.)



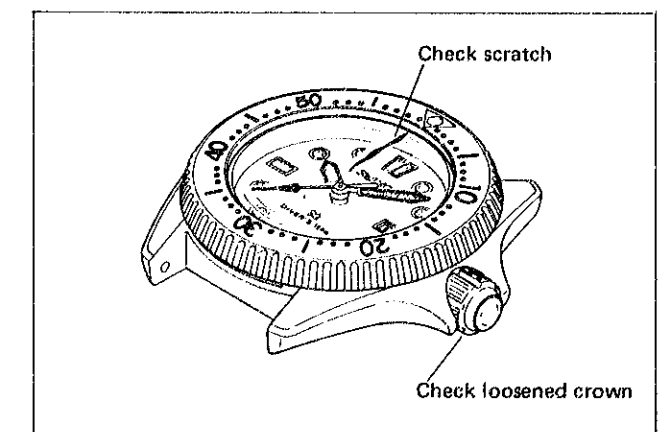
"●" mark showing the expected time for the next battery replacement.

## III. Disassembling, reassembling and lubricating of the case

### ● Remarks for repair

From the characteristic point of view of diver's watches, be sure to follow the notes below when the watch is repaired.

- (1) Repair the watch in a room without dust and lint, and with low humidity.
- (2) Be sure to check that the hands move smoothly.
- (3) Be sure to check if there are any glass defect and loosened screws.
- (4) After repair, conduct the water resistant test. We recommend to use "Bergeon 5395 (testing capacity, 0-50 Atm.)" for water resistant test.
- (5) Be sure to check that the strap is fixed to the caseband correctly. (Push pin, buckle.)



The remarks for disassembling and reassembling of the parts numbered within the double circles are given in the next and following pages.

● Lubricating marks

Types of oil

Oil quantity

● Silicone grease (500,000 c.s.)

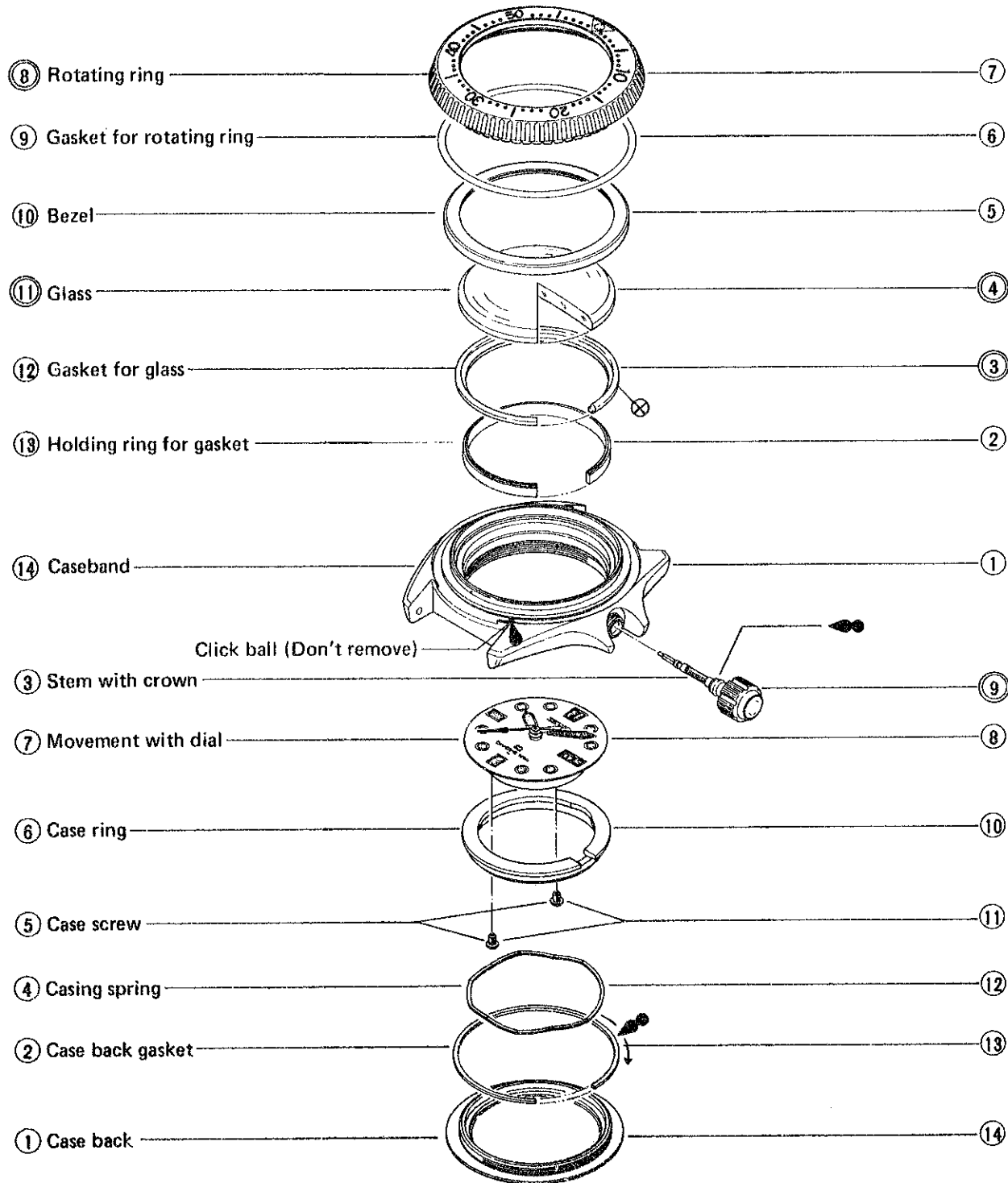
○ Liberal quantity

○ Normal quantity

○ Extremely small quantity

<Disassembling procedures>

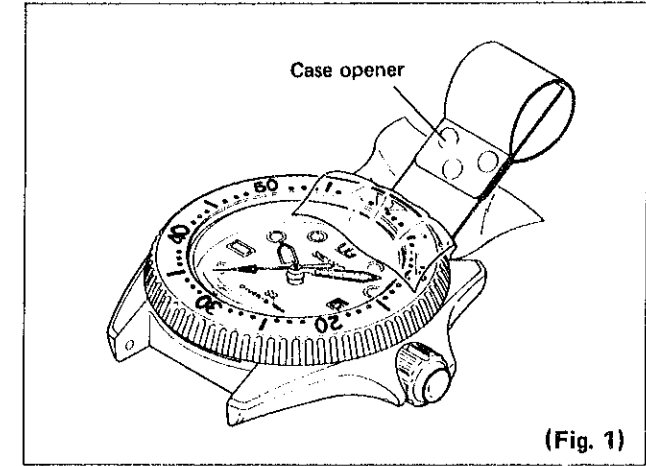
<Reassembling procedures>



1-1 Remarks for Disassembling

⑧ Rotating ring

Put the case opener into the opening notch of the rotating ring to remove. (Fig. 1)

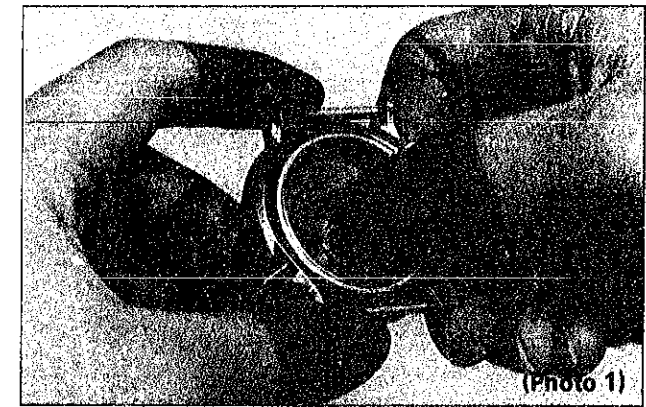


⑪ Glass

After removing the bezel from the opening notch by using the case opener, push the glass from inside to remove.

The back surface of the glass is specially coated and therefore remove the glass by pushing it with fingertip on a finger or by using chamois sheet so as not to scratch or stain the surface.

If there is any stain, wipe it off with a soft, clean cloth. Clean dust and lint with a brush. (Photo 1)



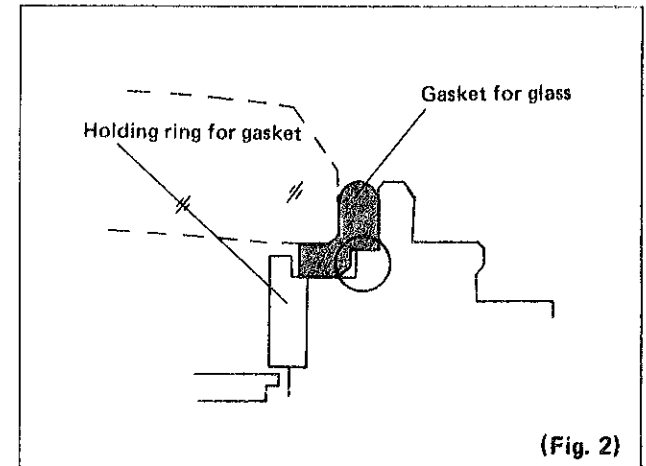
1-2 Remarks for Reassembling

Dry the parts completely before reassembling, and reassemble the watch in a room with low humidity.

⑬ Gasket for glass

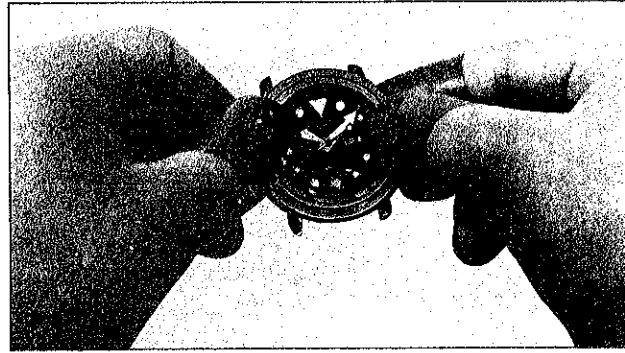
• When replacing the gasket for glass, make sure that it will be placed in the position correctly. Check the place marked with ○ as shown in Fig. 2.

• Do not apply silicone grease (500,000 c.s.).



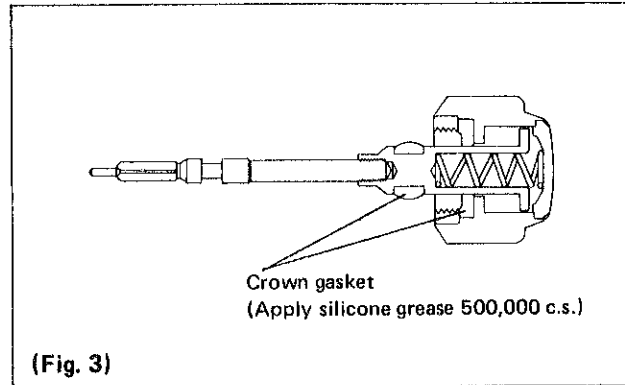
**④ Glass**

Place the glass stably by pushing it horizontally right from the above. While pushing the glass, be sure that the gasket for glass is placed in the position correctly. (Photo 2)



**⑨ Stem with crown**

After lubricating each portion indicated in the illustration, assemble the stem with crown slowly so that the crown gasket may not be damaged. (Fig. 3)



- Refer to TECHNICAL GUIDE Cal. 2633 for disassembling and reassembling, and checking and adjustment of the movement of Cal.2625.



#### IV. Periodic check procedures



"●" mark showing the expected time for battery replacement

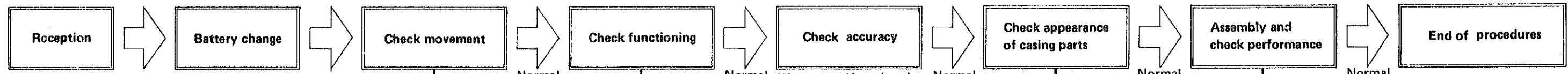
[Example]

The mark in the left illustration shows that the battery must be replaced during April to June, 1991.

Replace the battery of the watch only, which is received within the period marked with "●" on the case back showing the expected time of battery replacement, with a new one and have it subjected to the periodic check in accordance with the procedures shown below.

Note: The following measuring instruments are necessary to perform the periodic check.

1. Microscope
2. Micro Test
3. Quartz Tester
4. Bergeon 5395 (testing capacity, 0-50 Atm.)



Conduct the whole checks below:

1. **Check the movement for dust and lint and oil condition**  
(Check the movement with particular care to the gear train by using a microscope.)
2. **Check BLD operational voltage**  
(Check the maximum voltage at which BLD starts functioning by using the Micro Test. Standard value 1.3~1.5 V normal)
3. **Check the operational turn-off voltage**  
(Check the minimum voltage at which the watch keeps functioning correctly by using the Micro Test. Standard value 1.3V or less: normal)
4. **Check the value of current consumption**  
(Standard value 2.0μA or less: normal)

1. Check the movement of the hands.
2. Check setting function.
3. Check reset and regulation functions.
4. Check date setting function.

If any malfunctions are found in the above check, check the gear train and setting parts to replace the abnormal parts with new ones.

(If any malfunction is found, make accuracy adjustment.)

Check if each part has scratches and breaks, etc. In this case, be sure to replace the gaskets and push pins with new ones.  
**(The crown gasket for 150m diver's watch, assembled all together with the crown, is not required to be replaced, if no malfunction is found.)**

In the checks, be sure to inscribe "●" mark on the case back showing the expected time of the next battery replacement. (Punch a mark or make a noticeable inscription.)

1. **Check appearance and functions**  
[Check the operation of the crown, the rotating ring.]
2. **Water resistant test**  
[Use "Bergeon 5395 (testing capacity, 0-50 Atm.)."]

If any defects and malfunctions are found;

In case of 1 : **Clean and lubricate the movement partially.**

In case of 2 : **Replace the circuit block with a new one.**

In case of 3, 4 : **Clean and lubricate the gear train, and if further malfunctions are found, replace the circuit block with a new one.**



[Example]

Mark the position corresponding to April to June, 1982.